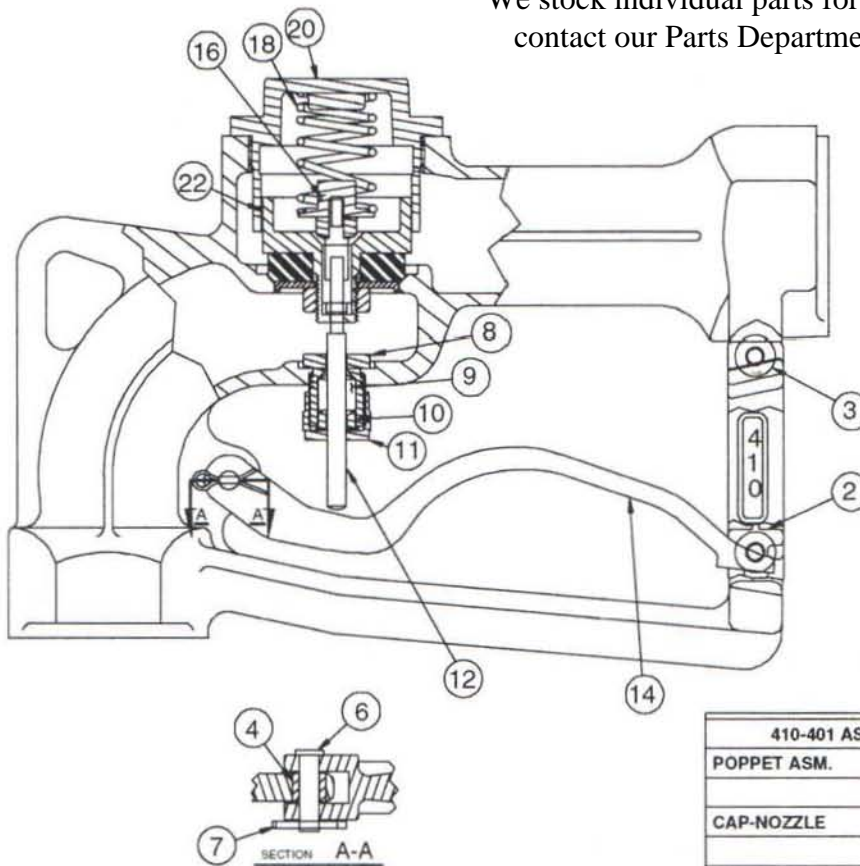


# 410 1-1/2" FUEL OIL NOZZLE PARTS LIST

We stock individual parts for this nozzle. Please contact our Parts Department for more info.



## SERVICE KIT P/N 90000



FOR PRICES REFER TO REPAIR PARTS PRICE LIST

WARNING: THIS IS A NON-AUTOMATIC NOZZLE WITH MANUALLY OPERATED LATCH WHICH WILL NOT SHUT-OFF AUTOMATICALLY. USE SHOULD BE LIMITED TO APPLICATIONS SANCTIONED BY "OSHA", "STATE FIRE MARSHAL CODES", AND OTHER APPROPRIATE REGULATING BODIES AND/OR SAFETY CODES.

410-401 ASM. (LARGE BODY)		
POPPET ASM.	410-128-01	22
		21
CAP-NOZZLE	410-102-01	20
		19
SPRING-VALVE	410-135-01	18
		17
PILOT VALVE ASS'Y.	410-120-01	16
		15
LEVER-HAND	410-201-01	14
		13
STEM	410-118-01	12
NUT-PACKING	410-113-01	11
FOLLOWER PACKING	410-109-01	10
PACKING	11022-01	9
GLAND-PACKING	498-105-01	8
PIN-COTTER	11135-01	7
PIN-CLEVIS	11488-02	6
		5
BUSHING	410-115-01	4
FLAT HEAD SCREWS	11015-01	3
LATCH-LEVER	410-114-01	2
		1
PART NAME	PART NUMBER	ITEM